

Mining Warrior

SWE600F

◆ Operating weight: 56 t

◆ Engine power: 300kW/1800rpm

◆ Bucket capacity: 3.4 m³



● Stronger powertrain

The high-power engine is supported by a large-displacement primary pump to solve difficulties in heavy-duty mining operations.

● Easier maintenance

Easy-to-access repair space and centrally arranged maintenance parts with centralized lubrication and inflator optional, making the maintenance much easier.

● Better adaptability

Independent radiator for the hydraulic liquid, multi-stage fuel filter system and super-high engine power. It can work at a high altitude and in extremely cold environment of mining operations.

● Higher reliability

Super-strong hydraulic power components and heavy-duty driving wheel, guide wheel, track roller, supporting roller and track. The five main structural parts can be used for more than 20,000h with high reliability and durability.



SWE600F

Main Technical Parameters

Features and specifications

Specifications

Operating weight	t	5.6
Bucket capacity	m ³	3.4

Engine

Brand	ISUZU	
Model	6WG1XKSC-01	
Type	Four-stroke, turbocharger, intercooled, direct injection	
Power	kW/rpm	300/1800
Maximum torque	N·m/rpm	1932/1400
Displacement	L	15.681

Hydraulic System

Type of main pump	2 variable displacement piston pumps	
Maximum flow of main pump	L/min	2×414
System pressure	MPa	31.4/34.3
Type of pilot pump	1 gear pump	
Maximum flow of pilot pump	L/min	27
Pressure of pilot pump	MPa	3.9

Performance

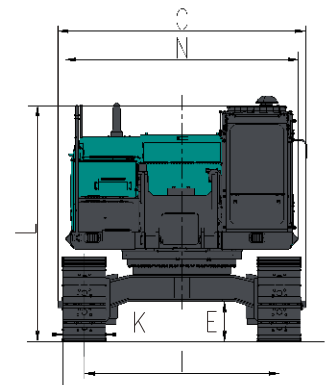
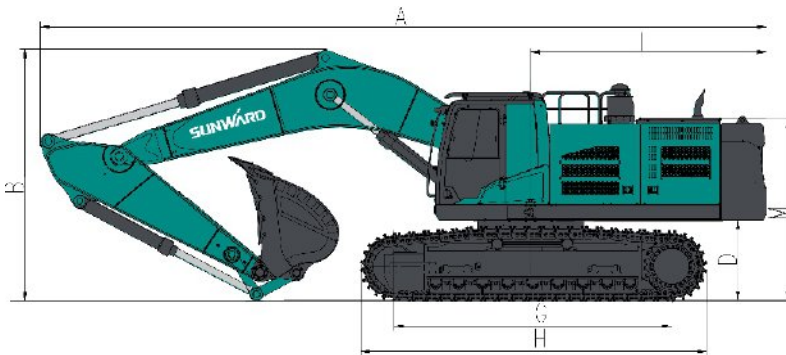
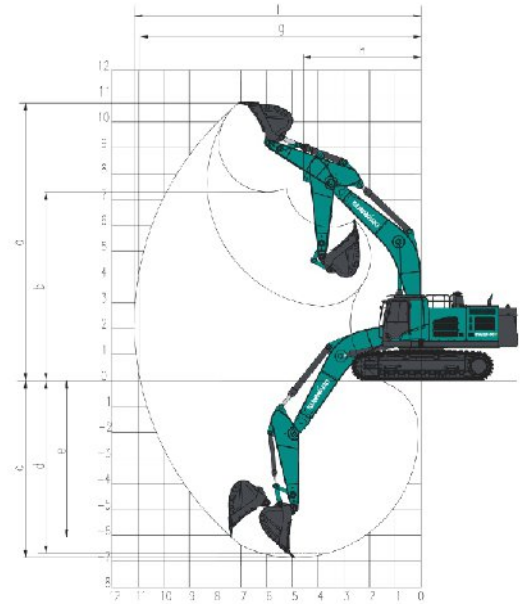
Rotating speed	rpm	8.6
Traceling speed	km/h	4.8/3.0
Gradeability	°	35
Track width	mm	600
Ground pressure	kPa	87

Tank Volume

Fuel tank volume	L	850
Hydraulic liquid tank volume	L	520

Working range and digging capacity

a	Max. digging height	mm	10740
b	Max. unloading height	mm	7290
c	Max. digging depth	mm	6860
d	Digging depth (2.44m horizontal)	mm	6700
e	Max. vertical digging depth	mm	6000
f	Max. digging distance	mm	11130
g	Max. digging reach at ground level	mm	10910
h	Min. front swing radius	mm	4550
Digging force of bucket (ISO supercharging)		kN	297
Digging force of arm (ISO supercharging)		kN	261



Dimensions

	Boom length	mm	6400		G	Ground contact length of track	mm	4410
	Arm length	mm	2900		H	Track length	mm	5490
A	Overall length	mm	11535		I	Track gauge	mm	2740
B	Overall height	mm	4080		J	Track width	mm	3340
C	Overall width	mm	3480		K	Width of track link	mm	600
D	Ground clearance of counterweight	mm	1290		L	Cab height	mm	3310
E	Minimum ground clearance	mm	560		M	Height of machine hood	mm	2900
F	Tail swing radius	mm	3750		N	Width of turntable	mm	3270

★ The above parameters may change due to product update

SUNWARD INTELLIGENT EQUIPMENT CO.,LTD.

Add: Sunward Industrial Park, No. 1335 Liangtang Road (E), Xingsha, Changsha, Hunan, China.
E-mail: internationa@sunward.cc Web: www.sunward.com.cn

SUNWARD